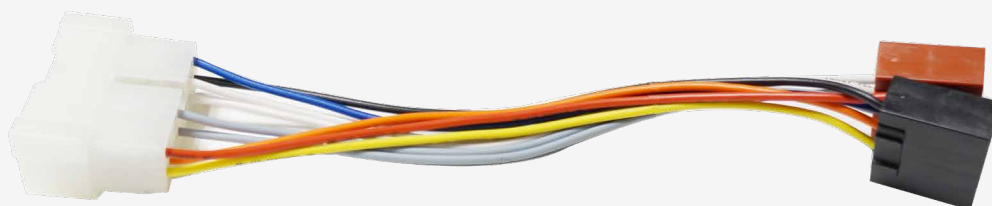


ADAPTER CABLE FID920



The FID920 adapter cable allows you to use our radios on the CASE CONSTRUCTION machines that have a Hyundai (Asia) connector. The FID920 allows the connection between the Asia connectors and the ISO connectors for speakers and power supply.

• FOR WHICH MACHINE?

The adapter cable adapts to the following CASE mini excavator * :

- CX18C
- CX26C
- CX37C

• FOR WHICH RADIOS?

The models below are compatible with the adapter cable FID920

- Radio Tuner USB : CT412
- Radio Bluetooth : CT412_BT
- Radio DAB+ Bluetooth : CT412_DAB_BT

*Non-exhaustive list.

ADAPTER CABLE FID920

· INSTALLATION GUIDE



1 - Câblage de l'autoradio

- Take the connection located at the radio.
- Connect the FID920 to the plug of the machine and to the radio (if you install the radio without the mounting frame, this etape will take place last).
- Connect the antenna of the machine (Asia plug) to the radio.



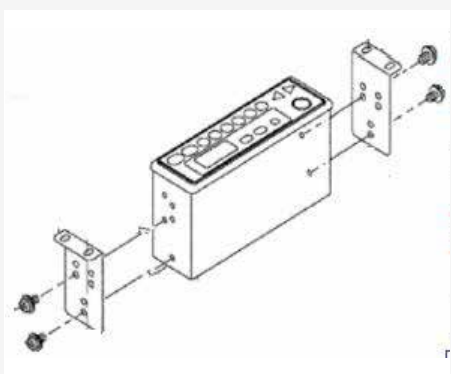
2 - Mounting device for a car radio

- Pull out the plastic cap (Ref 1) and install the radio.



Ref. 1

Please note that our standard radios do not match the location of the radio in the Case Construction machines. That's why we offer you 2 solutions to optimally install our radios.



Ref. 2

(Only use M5 x 6mm screws)

A. Without the metal belt clip

To install our radio without the mounting frame, we propose you to create two mounting brackets (Ref.2).

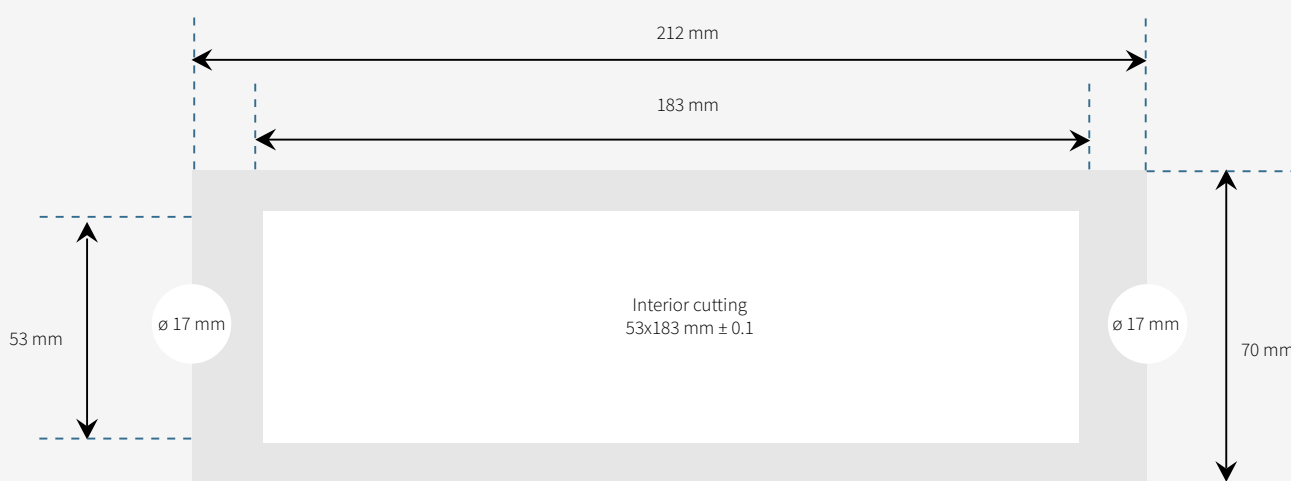
The mounting brackets should be fixed on both sides of the radio. The mounting brackets are not supplied with the radio. Dimensions :

- Thickness : 1,2mm
- Width : 64mm
- Depth : 75 mm.

ADAPTER CABLE FID920

B. With the mounting frame of the radio

If you want to keep the frame of the radio, we suggest to make a spacer with a thickness of 6.4mm ± 0.1.



Example of template

1



3



2



4



→ Assemble the installation frame of the radio with the metal belt clip.

→ Twist the small metallic elements to fix the mounting frame and the metal belt clip.

→ Position the entire installation on the front of the plastic element (ref. 2)

→ Install all the elements in the location of the radio (ref.4) (Connect the power cable and the antenna before this stage)

→ Fix everything with 2 screws

ADAPTER CABLE FID920

• RECOMMANDATIONS

AMS Diffusion assumes no responsibility for any changes made by the manufacturer.

• WARRANTY

The product is guaranteed for two years as from the date of sale to the end user, remembering that the sale must take place within 24 months after delivery

• AFTER SALES SERVICE

Reserved for professionals

→ Download the service form from our site <http://pro.ams-diffusion.fr/aftersale/>

When returning, please include the following documents for managing repairs and the warranty:

- The return-authorisation form duly completed
- A copy of the invoice with the date of sale to the end user
- The reason for the claim, or a description of the malfunction.

For more information, contact our technical department

→ Tel : +33 (0)3 27 94 44 44 ou @ : contact@ams-diffusion.com

If you are the end user

Please go to your dealer.



AMS Diffusion

Tél. +33 3 27 94 44 44

Fax. +33 3 27 94 44 45

contact@ams-diffusion.com