

LICENSE PLATE CAMERA

VICAM-AMS-CAM-LP

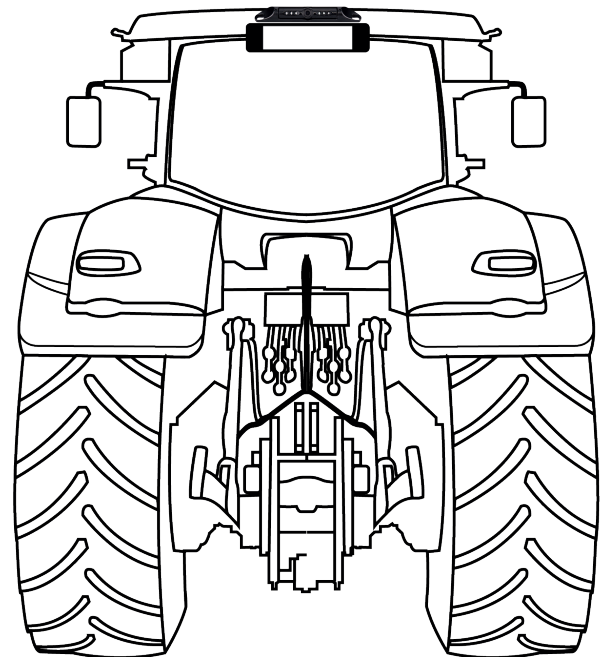
TECHNICAL DESCRIPTION

Item code : VICAM-AMS-CAM-LP

ENJOY A BETTER VISIBILITY BEHIND YOUR VEHICLE WITH OUR
LICENSE PLATE CAMERA



AMS
CAMERA



LICENSE PLATE CAMERA

VICAM-AMS-CAM-LP

TECHNICAL DESCRIPTION

Item code : VICAM-AMS-CAM-LP

FEATURES



- Protection rating against solids and liquids: IP69K
- Operating temperature: -20°C +70°C
- 728(H)*488(V)
- Frame rate: 25 fps
- Night vision (5 LED)
- Vision backlight
- Sensor: 1/3 CMOS



600
TVL



5
LED IR



CMOS
1/3



L: 199
W: 27
(MM)

INSTALLATION

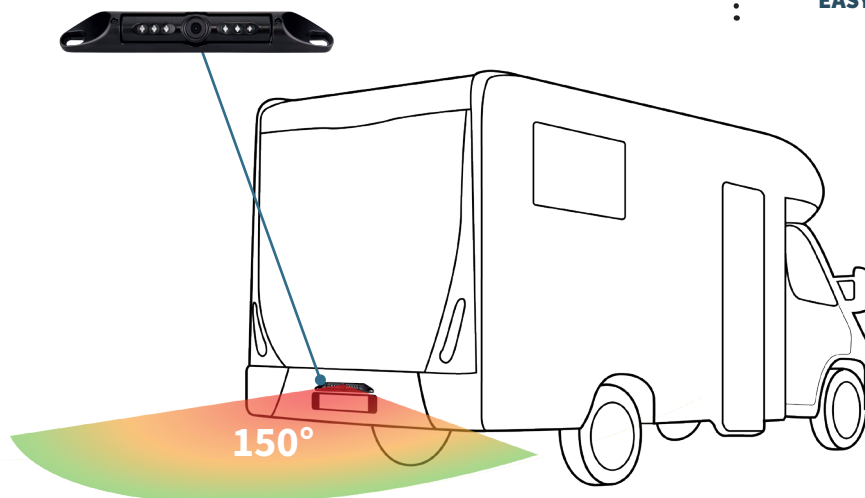
It is recommended to install this camera above the license plate of your vehicle. For better comfort of use, it is also preferable to center the camera in the width of the vehicle

Then connect the camera to the video screen placed in the cabin of the vehicle to obtain better visibility behind it.

Installation
duration



Installation
difficulty



LICENSE PLATE CAMERA

VICAM-AMS-CAM-LP

TECHNICAL DESCRIPTION

Item code : VICAM-AMS-CAM-LP

TESTS

Test your hardware:

- > Position your devices at the desired locations.
- > Connect the devices without permanently plugging the connections.
- > Switch on the system.
- > Test the operation of the components together.
- > Adjust the camera(s) to obtain the desired view (viewing angle).
- > If you are satisfied with the operation of the system, permanently install the devices and connections.

PERMANENT CONNECTION

When installing electrical connections:

- > Avoid attaching the cables to moving parts (e.g. steering column, rack, pulley, etc.)
- > Insulate all connections and fittings against water and dust.
- > Protect the cables against any mechanical stress by securing them.

Make sure your connections:

- > Are not bent or twisted. If there is a surplus of cable, do not roll the cable into a reel, make a serpentine.
- > Do not rub against metal edges.
- > Are not placed in passages with sharp edges without protection (use a cable gland or cable gland).

2
YEARS

Warranty

SAV

Online
form



contact@ams-
diffusion.com

